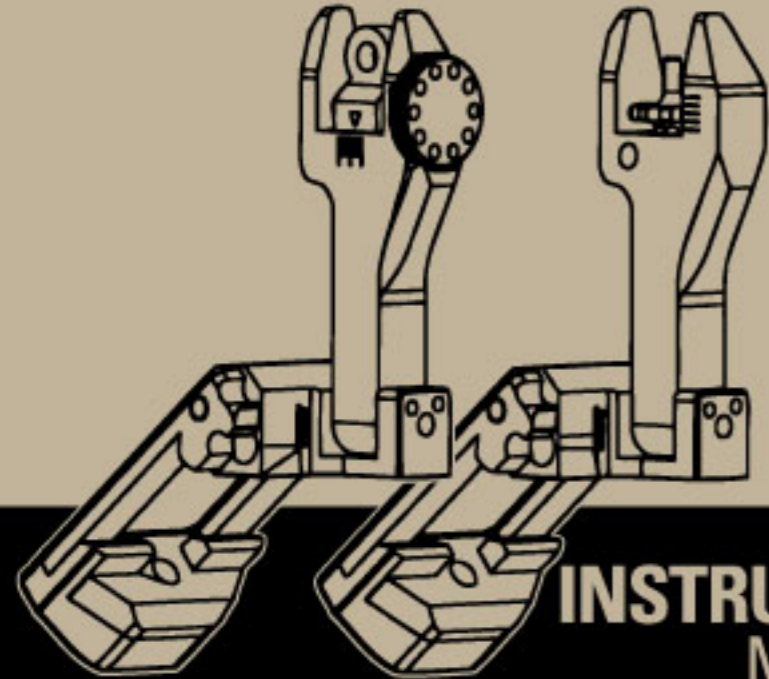
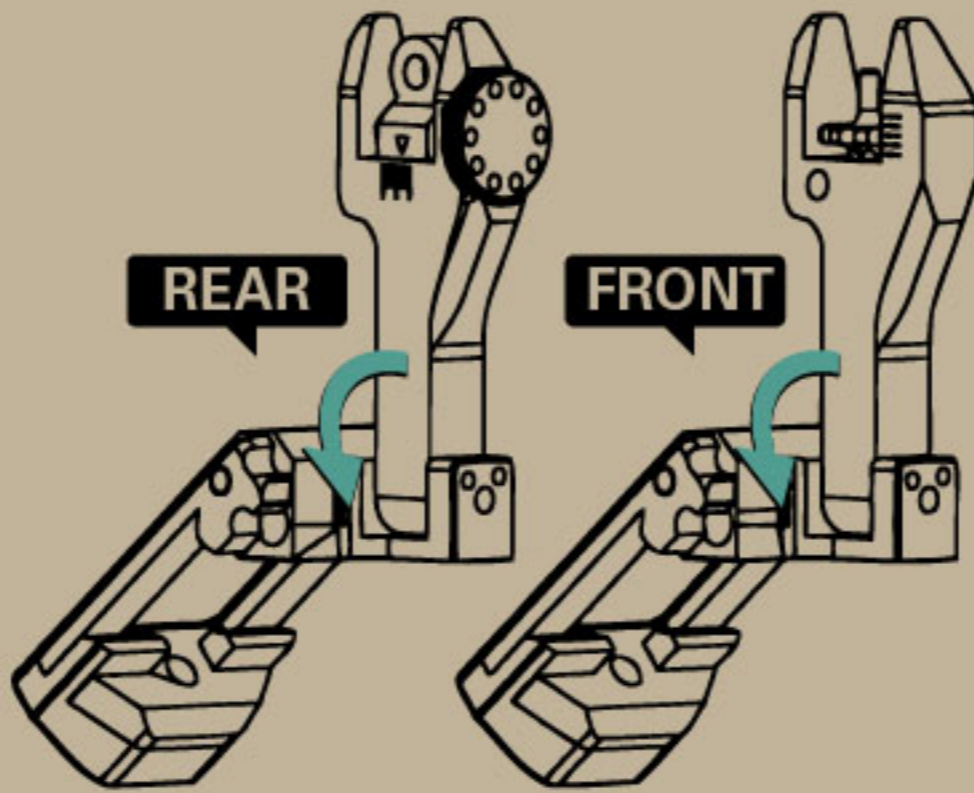


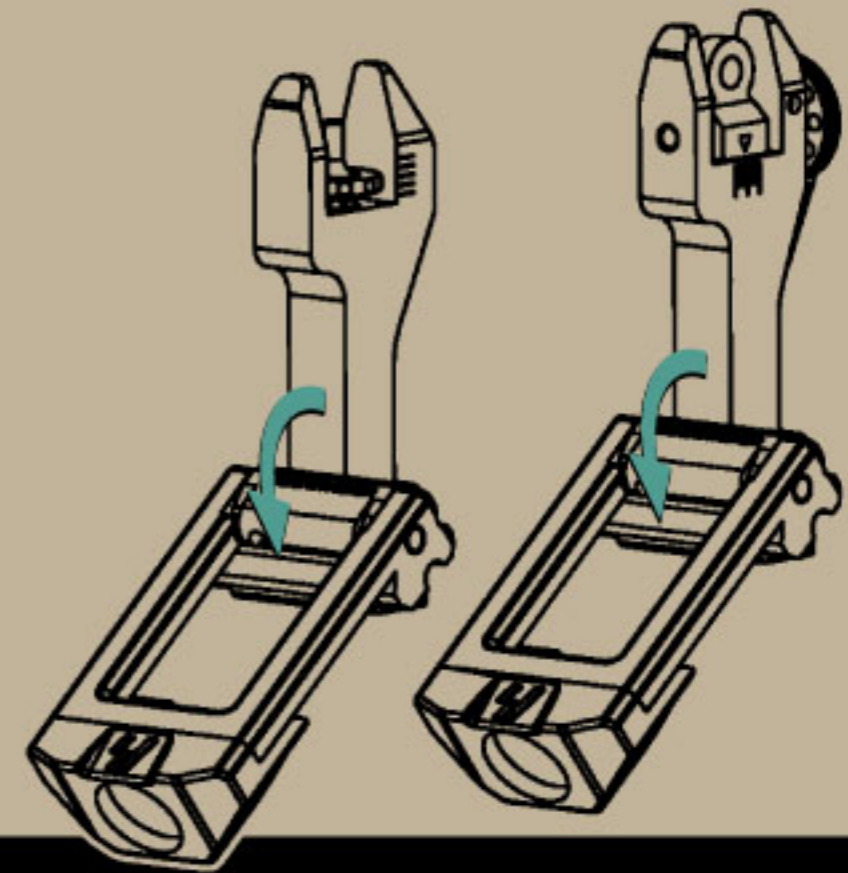

  
 STRIKE HARD | STRIKE FAST | STRIKE INDUSTRIES
   
**SIDEWINDER**
  
**SIGHTS**



**INSTRUCTION MANUAL**



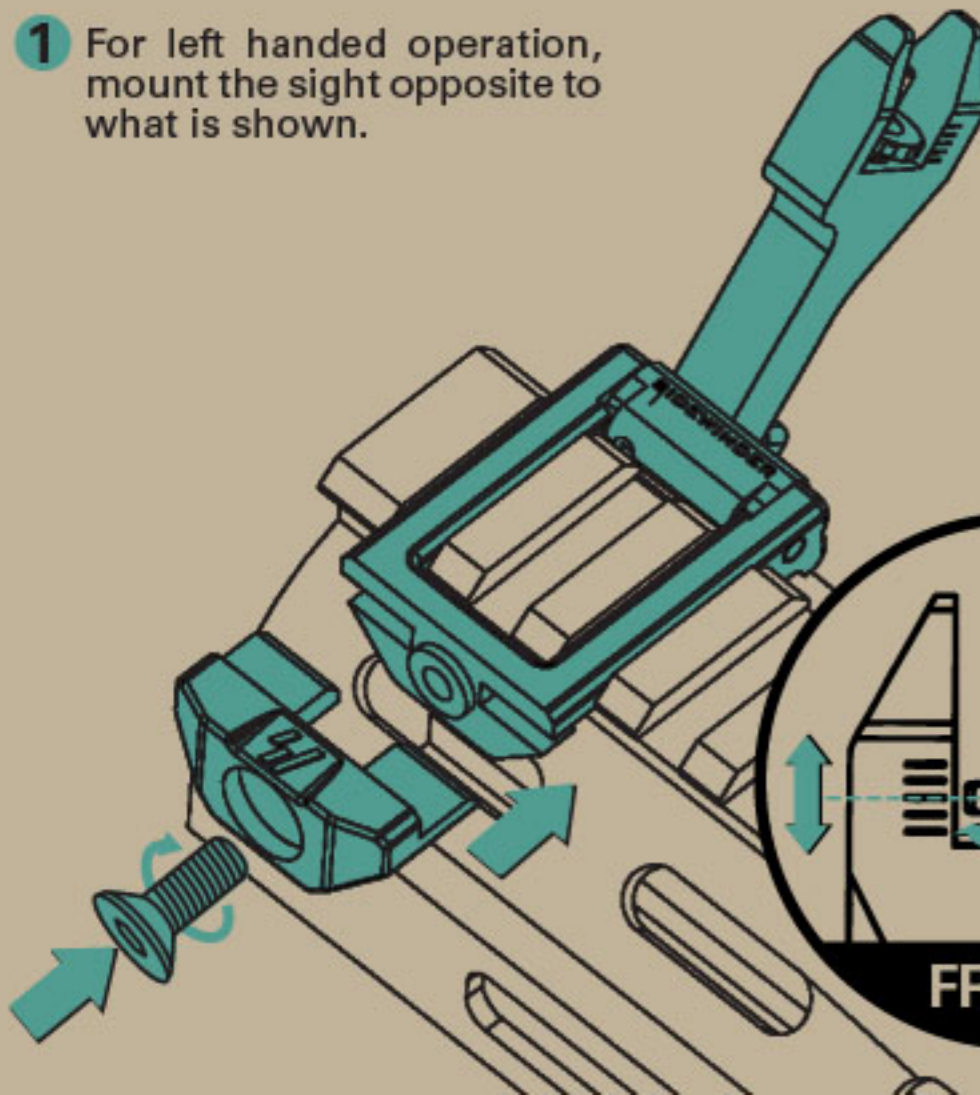
The Sidewinder Sight can be folded down when not in use in either the offset or inline position.



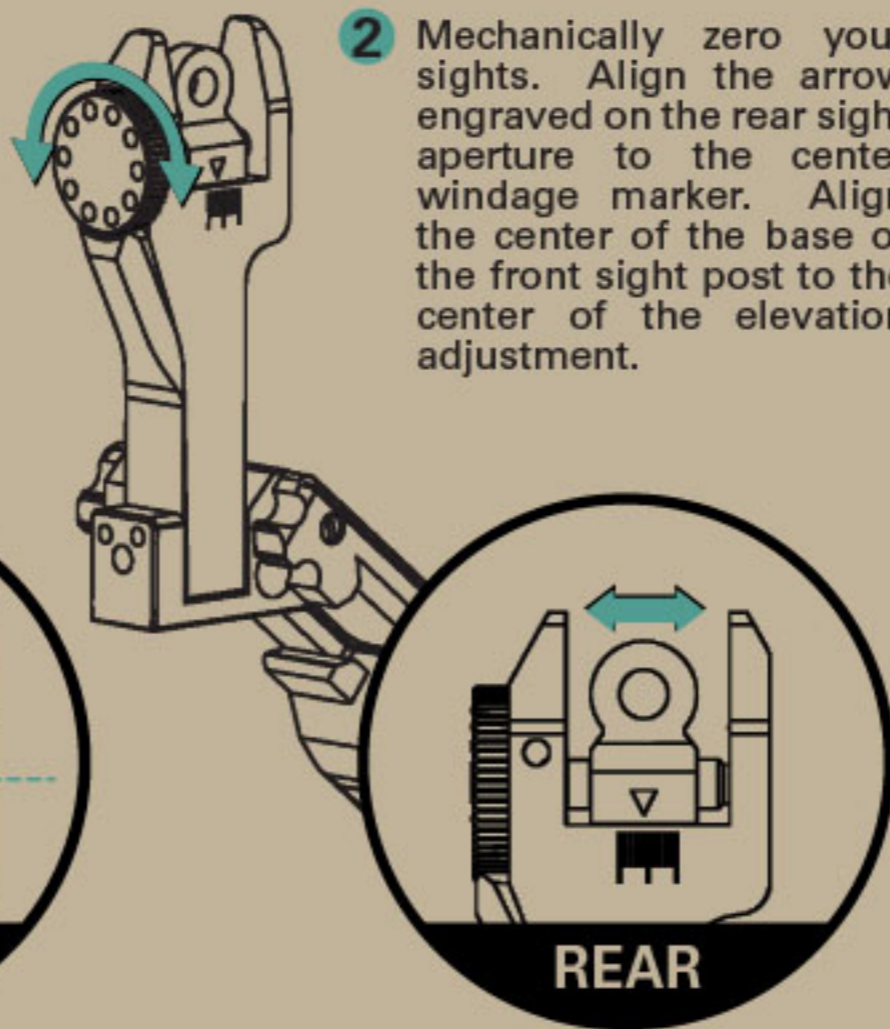
The Sidewinder Sight can be used in either the upright, or offset position by pivoting the sight to the desired position.

**WARNING**  
 Strike Industries shall not be responsible for injury, death or damage of property resulting from misuse, illegal use or modification of this product. Observe safe firearm handling practices at all times. Before beginning installation, make sure the weapon is unloaded and the safety engaged. Failure to do so may result in grievous bodily injury or death.

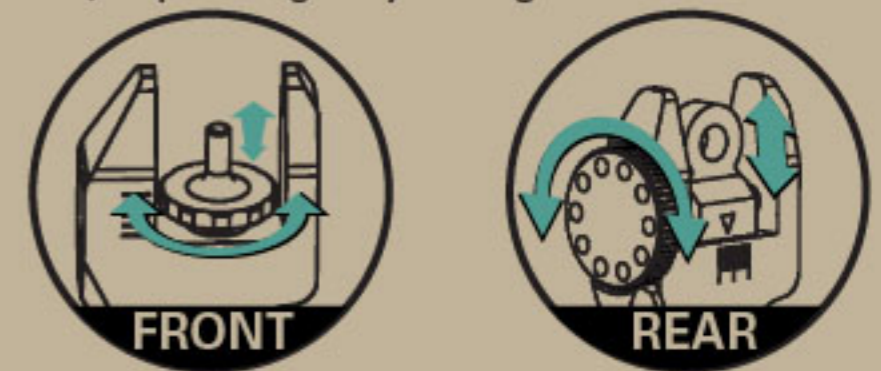
**1** For left handed operation, mount the sight opposite to what is shown.



**2** Mechanically zero your sights. Align the arrow engraved on the rear sight aperture to the center windage marker. Align the center of the base of the front sight post to the center of the elevation adjustment.



**3** Follow your usually zeroing procedures. Each "click" is approximately .45-.65 MOA of adjustment, depending on your sight radius.



**4** There may be a POI shift when switching between positions, however the sight will remain zeroed when used at the position originally zeroed at.

**5** Choose which position you will most likely be using the iron sight (upright inline position or 45 deg offset). If using the iron sights in the upright inline position, it may help to orient your zeroing target at 45 degrees, if your zero target has grid lines. At the offset position, orient your zero target normally, and cant your rifle until the sights are upright.